

Lighting Design Plan Metric Scale 1:50@A2

Studio TC2

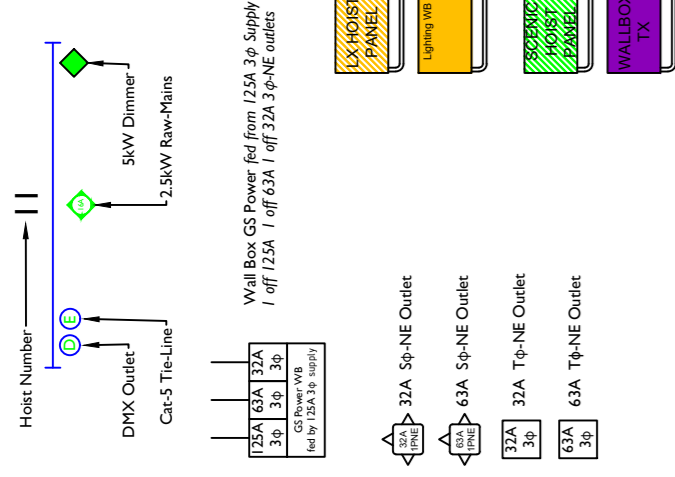
BBC Studioworks, Television Centre, Wood Lane, London W12 7RJ | Tel: +44 (0) 203 327 6900

PRODUCTION

STUDIO DATES

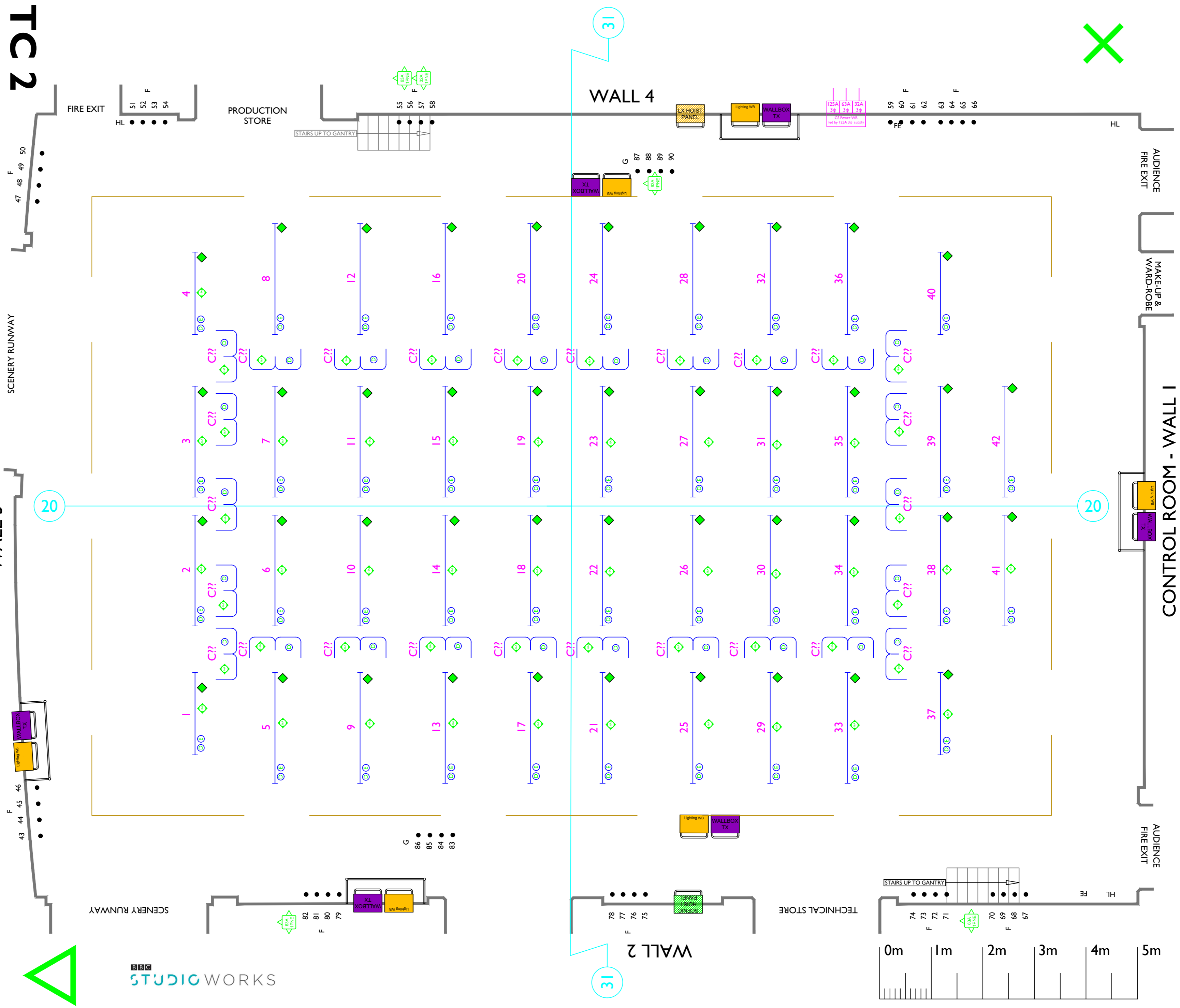
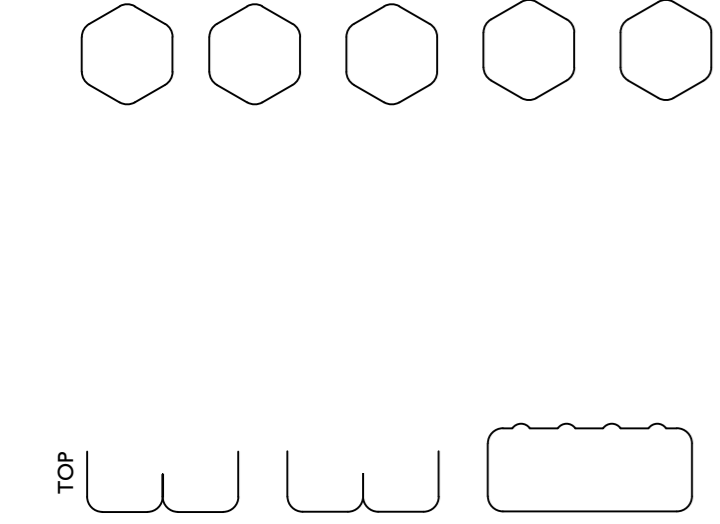
LIGHTING

LIGHTING HOIST OUTLETS & REFERENCES



LIGHTING FACILITIES

- **Lighting Hoists**
 - o 1x 3.0kW Dimmer
 - o 1x 1.5kW Raw Mains
 - o 1x DMX Outlet
 - o 1x DMX Outlet
 - o Hoist SWL
 - o Hoist Max Height
- **Lighting Hoist Cyclorama Nos C1-C26**
 - o 1x 2.5kW Raw Mains
 - o 1x DMX Outlet
 - o Hoist SWL
 - o Hoist Max Height
- **Floor & Gantry Outlets**
 - o 1x 5kW Dimmer
 - o 1x 32A Socket Outlet
- **Scenic Hoists**
 - o Hoist SWL
 - o Hoist Max Height



BBC **STUDIOWORKS**

